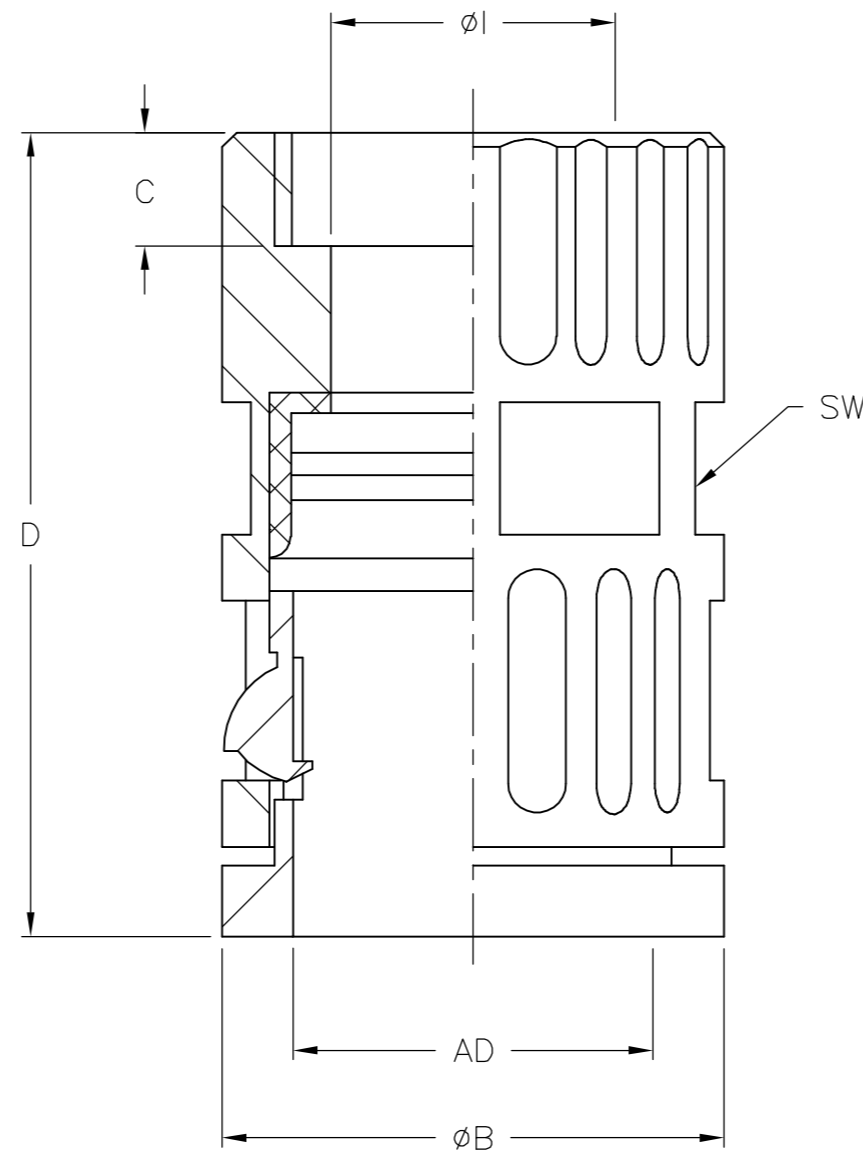


THIS DRAWING IS UNPUBLISHED. RELEASED FOR PUBLICATION
 © COPYRIGHT BY TYCO ELECTRONICS CORPORATION. ALL RIGHTS RESERVED.

| Loc | | DIST | | REVISIONS | | | |
|-----|-----|-------------|---------------------------|-----------|------|----|--|
| P | LTR | DESCRIPTION | DATE | DWN | APVD | | |
| FT | 0 | F1 | REVISED PER ECO-07-008627 | 4/20/07 | SS | SH | |

- ① Material: PA
- ② Color: black
- ③ Unscaled
- ④ DIN 16901-140

- ① Material: PA
- ② Farbe: schwarz
- ③ Unmassstaeblich
- ④ DIN 16901-140



| | | | | | | | | | |
|-------------------|----------------------|----------------------|-------------------|-----------------------|----------------------|---------------------|------------|------------------|------------|
| 1.45 | 50 | 27 | 52.5 | 46 | 17 | 9.5 | 1 5/8"-18 | 1/2 | 969811-7 |
| 1.30 | 50 | 27 | 52.5 | 32 | 17 | 9.5 | 1 1/16"-18 | 1/2 | 969811-6 |
| 2.15 | 50 | 27 | 52.5 | 41 | 17 | 9.5 | 1 3/8"-18 | 1/2 | 6-969811-4 |
| 1.5 | 50 | 27 | 52.5 | 49 | 17 | 9.5 | 1 3/4"-18 | 1/2 | 5-969811-4 |
| 1.45 | 50 | 27 | 52.5 | 41 | 17 | 9.5 | 1 7/16"-18 | 1/2 | 4-969811-4 |
| 1.4 | 50 | 27 | 52.5 | 34.6 | 17 | 9.5 | 1 3/16"-18 | 1/2 | 3-969811-4 |
| 1.1 | 50 | 27 | 50.3 | 30.1 | 17 | 9.5 | 1"-20 | 1/2 | 2-969811-4 |
| 1.1 | 50 | 27 | 50.3 | 30.1 | 17 | 9.5 | 15/16"-20 | 1/2 | 1-969811-4 |
| 1 | 50 | 27 | 51.35 | 29.5 | 17 | 9.5 | 3/4"-20 | 1/2 | 969811-5 |
| 1 | 50 | 27 | 50.5 | 29.5 | 17 | 9.5 | 7/8"-20 | 1/2 | 969811-4 |
| 1.1 | 50 | 27 | 45.0 | 29.5 | 12.5 | 9.5 | 5/8"-24 | 1/2 | 969811-3 |
| kg/100p | Pieces Stueck | SW | D | øB | øI | C | UNEF | AD | AMP # |
| | | mm | mm | mm | mm | mm | | mm | |
| Gewicht | einheit Packungs- | weite Schluessel- | laenge Gesamt- | Aussen ø groesster | Innen ø kleinster | laenge Gewinde- | Gewinde | groesse Nenn- | |
| Weight approx. | Unit Packaging | Width Hex | Lenght Total | Outer ø Largest | Inner ø Smallest | Thread Lenght of | Thread | Size Trade | |

THIS DRAWING IS A CONTROLLED DOCUMENT.

| | | |
|---|---------|---|
| DWN | 19FEB97 | Tyco Electronics Corporation Harrisburg, Pa 17105-3608 |
| CHK | 19AUG97 | |
| APVD | 19AUG97 | |
| PRODUCT SPEC | | |
| DIMENSIONS: mm TOLERANCES UNLESS OTHERWISE SPECIFIED: 0 PLC ± - 1 PLC ± - 2 PLC ± - 3 PLC ± - 4 PLC ± - ANGLES ± - FINISH - | | NAME W. BOECK APPLICATION SPEC - WEIGHT - CUSTOMER DRAWING |
| STRAIGHT CONNECTION CORRUGATED TUBING GERADE VERSCHRAUBUNG F. WELLSCHLAUCH | | SIZE A2 CAGE CODE 00779 DRAWING NO C=969811 RESTRICTED TO - SCALE NTS SHEET 1 OF 1 REV F1 |